



1. Optional Hinged Case
2. Optional Flush Mounting Ring



Note: RoHS applies to SS and Monel® internals only

Description & Features:

- Solid phenolic front and polypropylene pressure relief back safety case
- Field liquid-fillable (bottom connection only)
- ±0.5% accuracy
- Stainless steel full rotary movement for longer life
- Micrometer adjustable pointer for ease in calibration
- Under and overload stops
- 316L stainless steel, brass, Monel® wetted parts
- Restricted orifice standard on dual scale (optional on single scale)
- ASME B40.100 compliant
- CRN registered
- 5 year warranty

Applications:

- Ideally suited for process, chemical, petroleum and power industries
- Suitable for non-clogging corrosive media
- Used where operator safety is a requirement
- Processes where pulsation and vibration exist (with liquid filling)

Specifications	Stainless Steel Internals	Brass Internals
Dial	4.5" (115mm) white aluminum with black and red markings	4.5" (115mm) white aluminum with black and red markings
Case	Black phenolic with pressure relief back, solid front, integral back flange	Black phenolic with pressure relief back, solid front, integral back flange
Solid Wall	Phenolic	Phenolic
Pressure Relief Back	Polypropylene	Polypropylene
Window	Polycarbonate	Polycarbonate
Ring	Phenolic	Phenolic
Pointer	Aluminum, anodized black, micrometer adjustable	Aluminum, anodized black, micrometer adjustable
Socket	316L SS	OT 58 brass
Connection	1/4" NPT or 1/2" NPT standard, bottom or back	1/4" NPT or 1/2" NPT standard, bottom or back
Bourdon Tube	316L SS, drawn seamless	Phosphor bronze
Movement	304 SS with under and overload stops	304 SS with under and overload stops
Gasket Materials	Silicone (FKM option)	Silicone (FKM option)
Welding	TIG	Silver alloy
Over-pressure Limit	25% for pressures below 1,500 psi (10,341 kPa), 15% for pressures 1,500 psi to 8,700 psi (10,341 kPa to 59,984 kPa), 10% for pressures above 8,700 psi (59,984 kPa)	25% for pressures below 1,500 psi (10,341 kPa), 15% for pressures 1,500 psi to 8,700 psi (10,341 kPa to 59,984 kPa), 10% for pressures above 8,700 psi (59,984 kPa)
Working Pressure	Maximum 75% of full scale value	Maximum 75% of full scale value
Ambient Temperature	Dry: -40°F to 250°F (-40°C to 120°C) Glycerin Filled: -4°F to 150°F (-20°C to 65°C)	Dry: -40°F to 250°F (-40°C to 120°C) Glycerin Filled: -4°F to 150°F (-20°C to 65°C)
Process Temperature	-40°F to 250°F (-40°C to 120°C)	-40°F to 150°F (-40°C to 65°C)
Accuracy	±0.5% ANSI/ASME Grade 2A	±0.5% ANSI/ASME Grade 2A
Enclosure Rating	IP65	IP65
Warning (brass internals only)	N/A	⚠ WARNING: This product can expose you to chemicals including lead, which is known to the State of California to cause cancer and birth defects or other reproductive harm. For more information go to www.P65Warnings.ca.gov .

Monel® is a registered trademark of Inco Alloys International

Single Scale Order Codes (products in bold are normally stock in North America)

Connection	1/4" Bottom	1/4" Back (LB)	1/2" Bottom	1/2" Back (LB)
Socket, Tube	SS			
30" Hg Vac	PPC5040R1	PPC5340R1	PPC5060R1	PPC5460R1
30"/0/15 psi	PPC5130R1	PPC5330R1	PPC5140R1	PPC5440R1
30"/0/30 psi	PPC5131R1	PPC5331R1	PPC5141R1	PPC5441R1
30"/0/60 psi	PPC5132R1	PPC5332R1	PPC5142R1	PPC5442R1
30"/0/100 psi	PPC5133R1	PPC5333R1	PPC5143R1	PPC5443R1
30"/0/160 psi	PPC5134R1	PPC5334R1	PPC5144R1	PPC5444R1
30"/0/200 psi	PPC5135R1	PPC5335R1	PPC5145R1	PPC5445R1
30"/0/300 psi	PPC5136R1	PPC5336R1	PPC5146R1	PPC5446R1
0/15 psi	PPC5041R1	PPC5341R1	PPC5061R1	PPC5461R1
0/30 psi	PPC5042R1	PPC5342R1	PPC5062R1	PPC5462R1
0/60 psi	PPC5043R1	PPC5343R1	PPC5063R1	PPC5463R1
0/100 psi	PPC5044R1	PPC5344R1	PPC5064R1	PPC5464R1
0/160 psi	PPC5045R1	PPC5345R1	PPC5065R1	PPC5465R1
0/200 psi	PPC5046R1	PPC5346R1	PPC5066R1	PPC5466R1
0/300 psi	PPC5047R1	PPC5347R1	PPC5067R1	PPC5467R1
0/400 psi	PPC5048R1	PPC5348R1	PPC5068R1	PPC5468R1
0/600 psi	PPC5049R1	PPC5349R1	PPC5069R1	PPC5469R1
0/800 psi	PPC5058R1	PPC5358R1	PPC5078R1	PPC5478R1
0/1,000 psi	PPC5050R1	PPC5350R1	PPC5070R1	PPC5470R1
0/1,500 psi	PPC5051R1	PPC5351R1	PPC5071R1	PPC5471R1
0/2,000 psi	PPC5052R1	PPC5352R1	PPC5072R1	PPC5472R1
0/3,000 psi	PPC5053R1	PPC5353R1	PPC5073R1	PPC5473R1
0/5,000 psi	PPC5054R1	PPC5354R1	PPC5074R1	PPC5474R1
0/6,000 psi	PPC5199R1	-	PPC5178R1	-
0/10,000 psi	PPC5055R1	PPC5355R1	PPC5075R1	PPC5475R1
0/15,000 psi	PPC5056R1	PPC5356R1	PPC5076R1	PPC5476R1
0/20,000 psi	PPC5057R1	PPC5357R1	PPC5077R1	PPC5477R1

Note: Restrictor screws are not standard on single scale gauges

Other ranges and connection sizes available upon request. For scale change, refer to How to Order Guide for scale codes.

Option suffix:

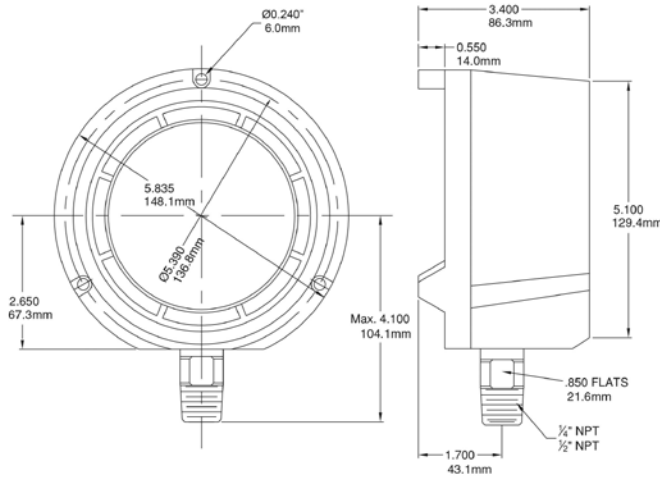
- FMR = Flush mounting ring
- G = Glycerin (bottom connection only)
- HCSF = Solid front hinged case (back connection only)
- MAXI45 = 4.5" (115mm) Maxi pointer
- MS = Monel® tube and socket
- REST = Restrictor Screw (psi only)
- SG-45 = Safety glass
- SF45 = Silicone fill (bottom connection only)

For WinBRIGHT dial options refer to Custom Dials

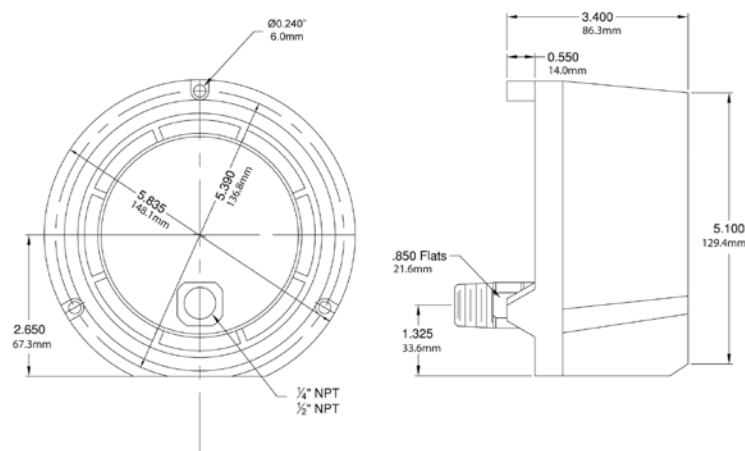
Dual Scale Order Codes (products in bold are normally stock in North America)

Connection	1/4" Bottom	1/4" Back (LB)	1/4" Bottom	1/4" Back (LB)	1/2" Bottom	1/2" Back (LB)	1/2" Bottom	1/2" Back (LB)
Socket, Tube	Brass		SS		Brass		SS	
30" Hg Vac/kPa	PPC5080	PPC5280	PPC5040	PPC5340	-	-	PPC5060	PPC5460
30"/0/15 psi/kPa	PPC5120	PPC5220	PPC5130	PPC5330	-	-	PPC5140	PPC5440
30"/0/30 psi/kPa	PPC5121	PPC5221	PPC5131	PPC5331	-	-	PPC5141	PPC5441
30"/0/60 psi/kPa	PPC5122	PPC5222	PPC5132	PPC5332	-	-	PPC5142	PPC5442
30"/0/100 psi/kPa	PPC5123	PPC5223	PPC5133	PPC5333	-	-	PPC5143	PPC5443
30"/0/160 psi/kPa	PPC5124	PPC5224	PPC5134	PPC5334	-	-	PPC5144	PPC5444
30"/0/200 psi/kPa	PPC5125	PPC5225	PPC5135	PPC5335	-	-	PPC5145	PPC5445
30"/0/300 psi/kPa	PPC5126	PPC5226	PPC5136	PPC5336	-	-	PPC5146	PPC5446
0/15 psi/kPa	PPC5081	PPC5281	PPC5041	PPC5341	-	-	PPC5061	PPC5461
0/30 psi/kPa	PPC5082	PPC5282	PPC5042	PPC5342	-	-	PPC5062	PPC5462
0/60 psi/kPa	PPC5083	PPC5283	PPC5043	PPC5343	-	-	PPC5063	PPC5463
0/100 psi/kPa	PPC5084	PPC5284	PPC5044	PPC5344	-	-	PPC5064	PPC5464
0/160 psi/kPa	PPC5085	PPC5285	PPC5045	PPC5345	-	-	PPC5065	PPC5465
0/200 psi/kPa	PPC5086	PPC5286	PPC5046	PPC5346	-	-	PPC5066	PPC5466
0/300 psi/kPa	PPC5087	PPC5287	PPC5047	PPC5347	-	-	PPC5067	PPC5467
0/400 psi/kPa	PPC5088	PPC5288	PPC5048	PPC5348	-	-	PPC5068	PPC5468
0/600 psi/kPa	PPC5089	PPC5289	PPC5049	PPC5349	-	-	PPC5069	PPC5469
0/800 psi/kPa	PPC5099	PPC5299	PPC5058	PPC5358	PPC5188	PPC5198	PPC5078	PPC5478
0/1,000 psi/kPa	PPC5098	PPC5298	PPC5050	PPC5350	PPC5090	PPC5290	PPC5070	PPC5470
0/1,500 psi/kPa	-	-	PPC5051	PPC5351	PPC5091	PPC5291	PPC5071	PPC5471
0/2,000 psi/kPa	-	-	PPC5052	PPC5352	PPC5092	PPC5292	PPC5072	PPC5472
0/3,000 psi/kPa	-	-	PPC5053	PPC5353	PPC5093	PPC5293	PPC5073	PPC5473
0/5,000 psi/kPa	-	-	PPC5054	PPC5354	PPC5094	PPC5294	PPC5074	PPC5474
0/6,000 psi/kPa	PPC5199	-	PPC5158	-	PPC5398	-	PPC5178	-
0/10,000 psi/kPa	-	-	PPC5055	PPC5355	PPC5095	PPC5295	PPC5075	PPC5475
0/15,000 psi/kPa	-	-	PPC5056	PPC5356	PPC5096	PPC5296	PPC5076	PPC5476
0/20,000 psi/kPa	-	-	PPC5057	PPC5357	PPC5097	PPC5297	PPC5077	PPC5477

4.5" Bottom Connection



4.5" Back Connection



PRC Receiver Gauge



Description & Features:

- High quality gauge designed to work with a pneumatic transmitter or controller
- 3-15 psi with a variety of receiver ranges
- 316 stainless steel or brass wetted parts
- ASME B40.100 compliant
- CRN registered
- 5 year warranty

Applications:

- Works in conjunction with valves and transmitters to indicate changes in pressure, temperature, flow, level, or other measured proportional variables

Order Codes

Connection	1/4" Bottom	1/4" Back	1/4" Bottom	1/4" Back
Socket, Tube	Brass		SS	
3/15 psi/0-100%	PRC5081REC	PRC5281REC	PRC5041REC	PRC5341REC
3/27 psi/0-100%	PRC5082REC	PRC5283REC	PRC5042REC	PRC5342REC